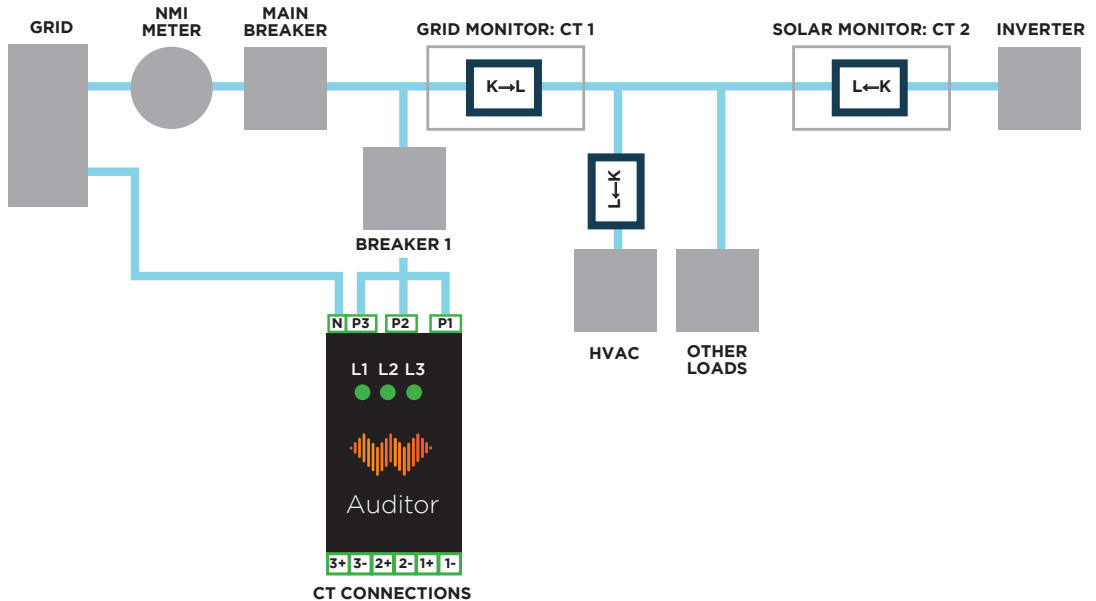




Auditor 3 - 1 Phase Solar



BREAKER 1

Existing or Dedicated Breaker

CT INSTALLATION

CLIP CT1 onto GRID
CLIP CT2 onto SOLAR
CLIP CT3 onto a LOAD

VOLTAGE CONNECTIONS

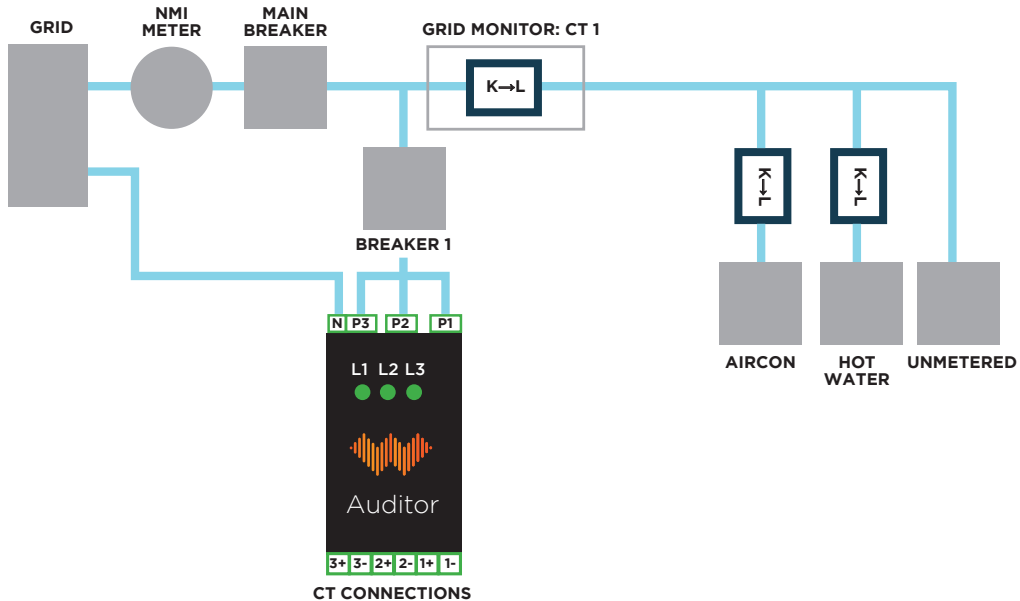
Line connects to P1, P2 & P3

SUPPORT

support@wattwatchers.com.au



Auditor 3 Wiring - 1 Phase House Loads



BREAKER 1

Existing or Dedicated Breaker

CT INSTALLATION

CLIP CT1 onto GRID
CLIP CT2,3 onto LOADS

VOLTAGE CONNECTIONS

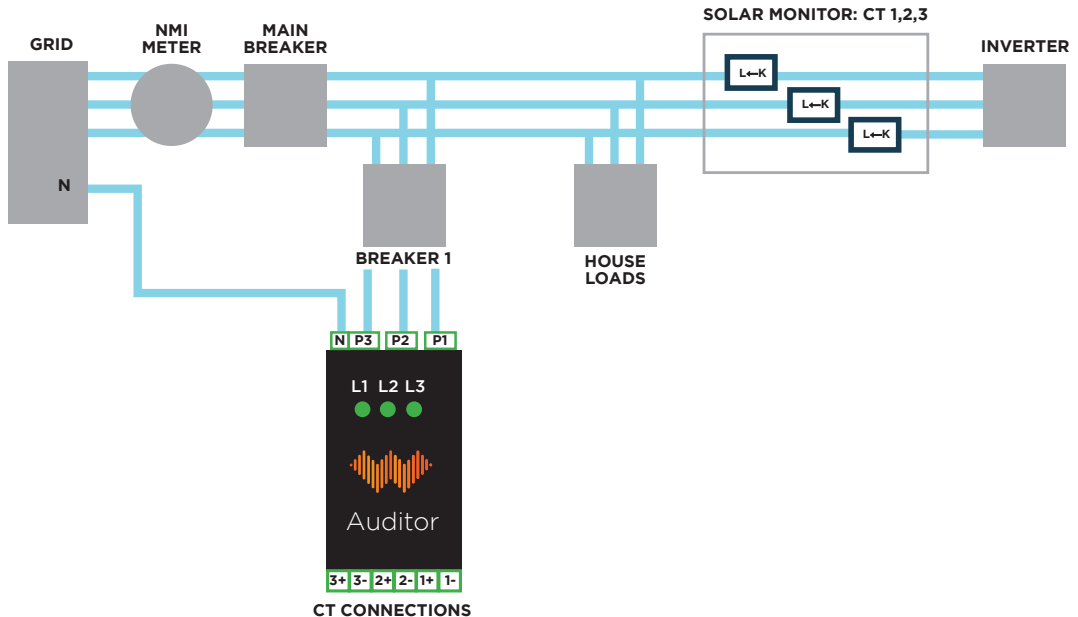
Line connects to P1, P2 & P3

SUPPORT

support@wattwatchers.com.au



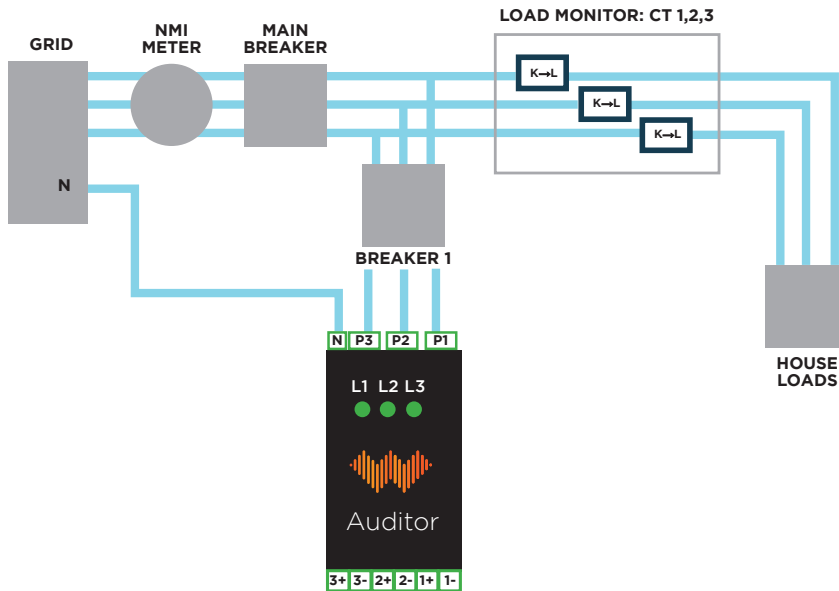
Auditor 3 Wiring - 3 Phase Solar



BREAKER 1 Existing or Dedicated Breaker	CT INSTALLATION CLIP CT1 onto GRID CLIP CT2,3 onto LOADS
VOLTAGE CONNECTIONS Phase A-P1, Phase B-P2, Phase C-P3 Phase sequence need not be observed	SUPPORT support@wattwatchers.com.au



Auditor 3 Wiring - 3 Phase House Load



CT CONNECTIONS

BREAKER 1

Existing or Dedicated Breaker

CT INSTALLATION

CLIP CT1 onto P1
CLIP CT2 onto P2
CLIP CT3 onto P3

VOLTAGE CONNECTIONS

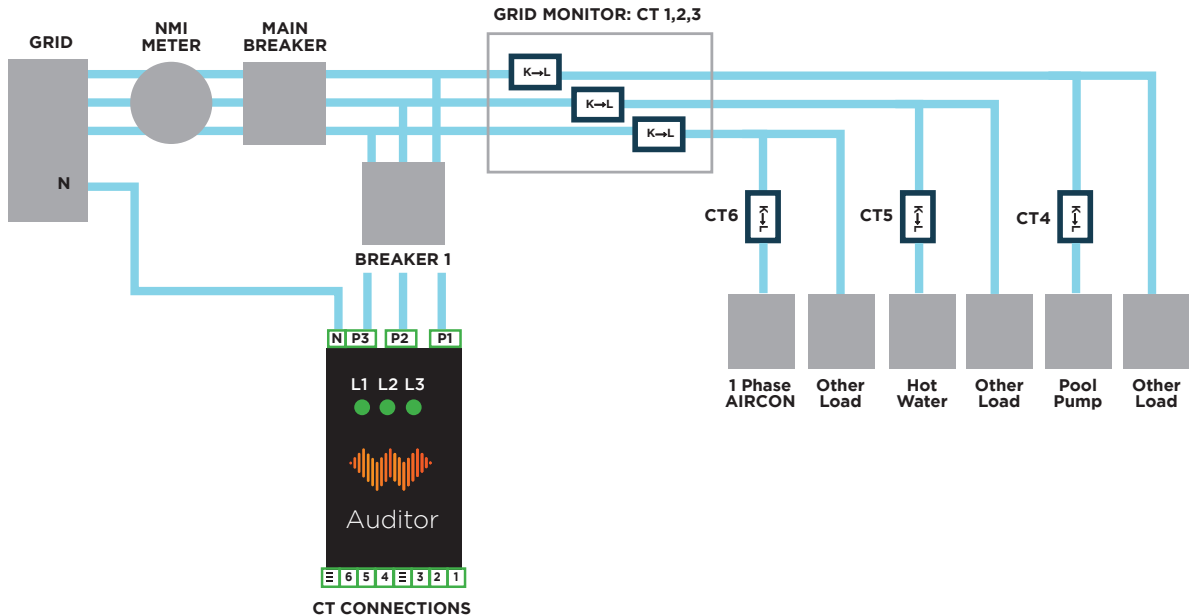
Phase A-P1, Phase B-P2, Phase C-P3
Phase sequence need not be observed

SUPPORT

support@wattwatchers.com.au



Auditor 6 Wiring - 3 Phase - 1 Phase Loads



BREAKER 1

Existing or Dedicated Breaker

CT INSTALLATION

CLIP CT1, CT4 onto P1
CLIP CT2, CT5 onto P2
CLIP CT3, CT6 onto P3

VOLTAGE CONNECTIONS

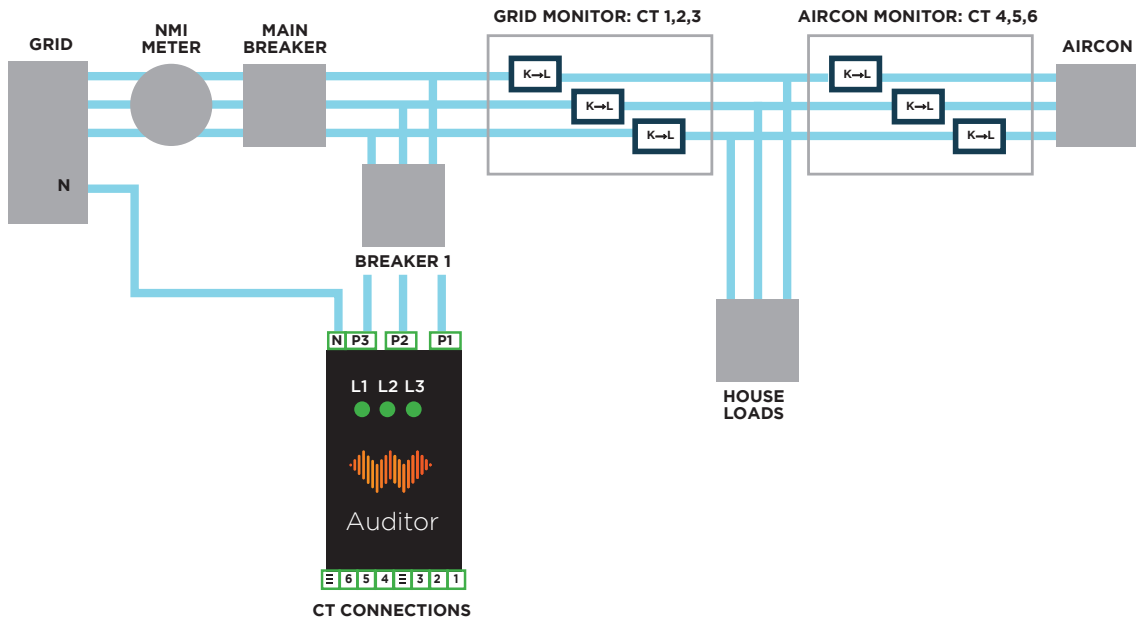
Phase A-P1, Phase B-P2, Phase C-P3
Phase sequence need not be observed

SUPPORT

support@wattwatchers.com.au



Auditor 6 Wiring - 3 Phase - 3 Phase AirCon



BREAKER 1

Existing or Dedicated Breaker

CT INSTALLATION

CLIP CT1, CT4 onto P1
CLIP CT2, CT5 onto P2
CLIP CT3, CT6 onto P3

VOLTAGE CONNECTIONS

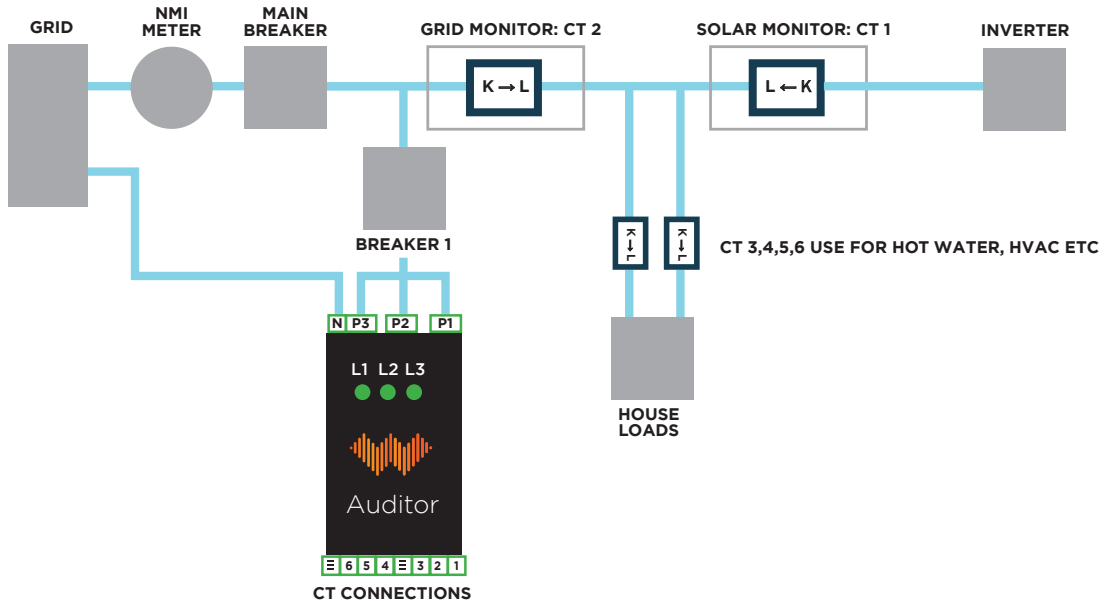
Phase A-P1, Phase B-P2, Phase C-P3
Phase sequence need not be observed

SUPPORT

support@wattwatchers.com.au



Auditor 6 Wiring - 1 Phase - Solar



BREAKER 1

Existing or Dedicated Breaker

CT INSTALLATION

Record the CT assignments using the onboarding tool

VOLTAGE CONNECTIONS

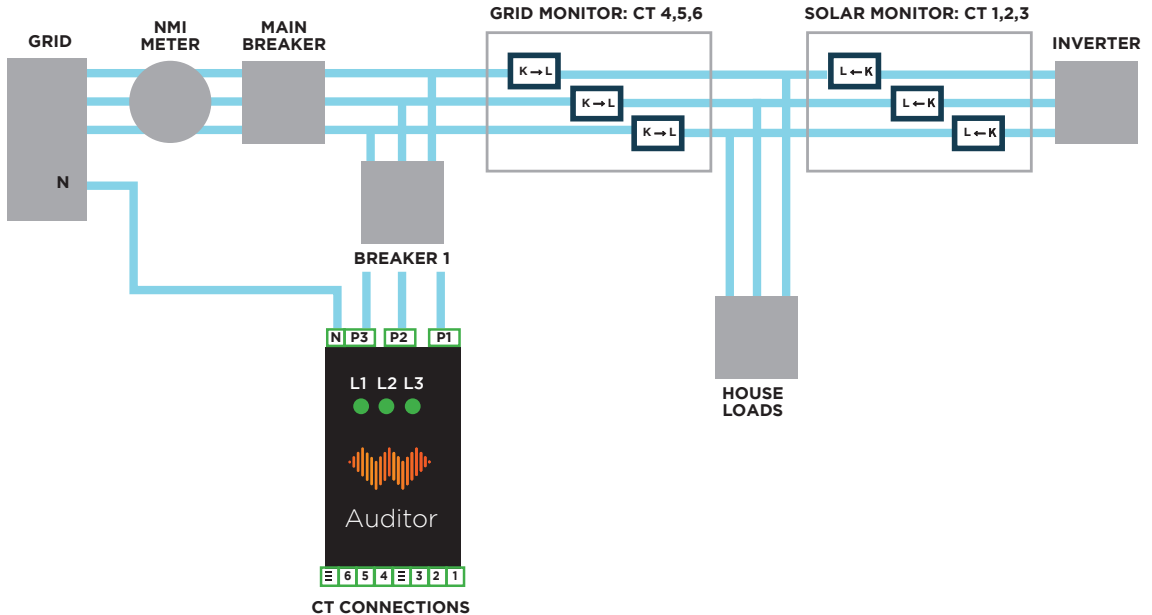
Line connects to P1, P2, P3

SUPPORT

support@wattwatchers.com.au



Auditor 6 Wiring - 3 Phase - Solar



BREAKER 1

Existing or Dedicated Breaker

CT INSTALLATION

CLIP CT1, CT4 onto P1
CLIP CT2, CT5 onto P2
CLIP CT3, CT6 onto P3

VOLTAGE CONNECTIONS

Phase A-P1, Phase B-P2, Phase C-P3
Phase sequence need not be observed

SUPPORT

support@wattwatchers.com.au